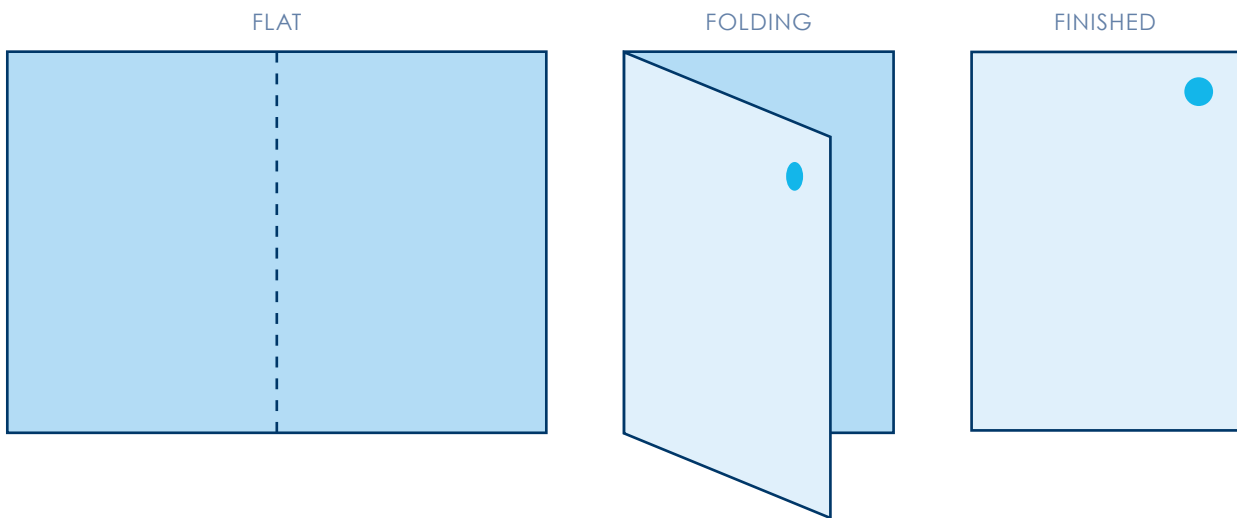




BROCHURE FOLDS

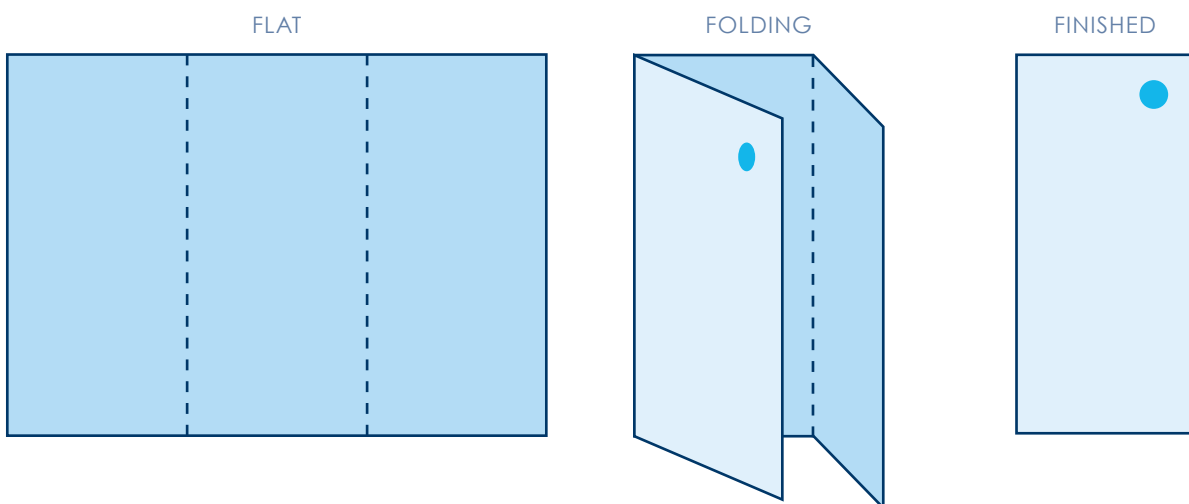
1. Half-Fold

Best Used For: Simple presentation of information



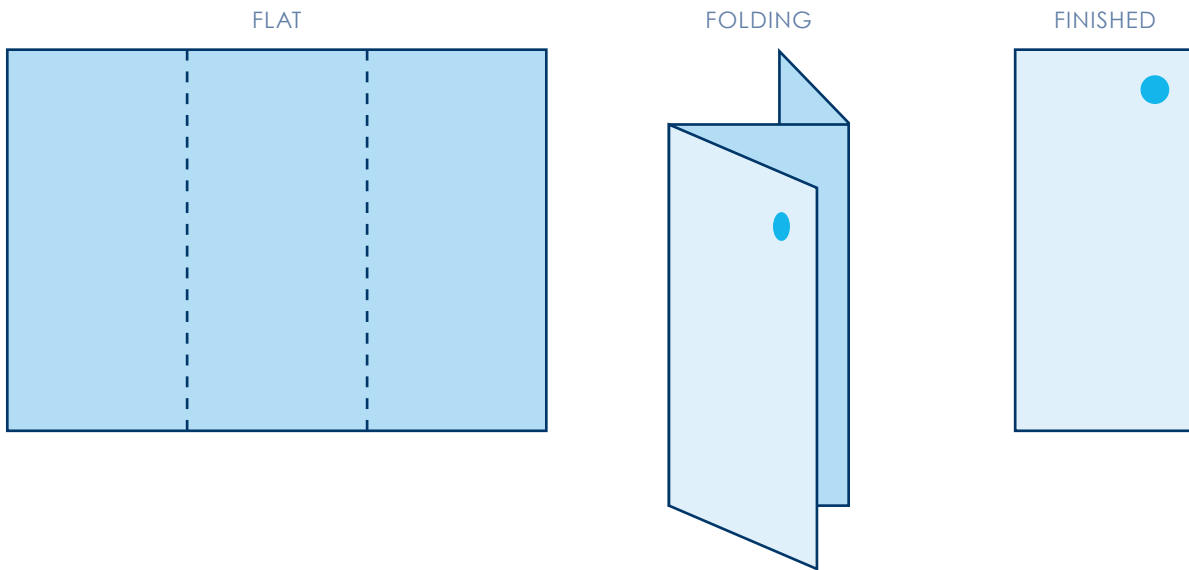
2. Classic Tri-Roll Fold

Best Used For: Compact pieces that are easy to read and unfold



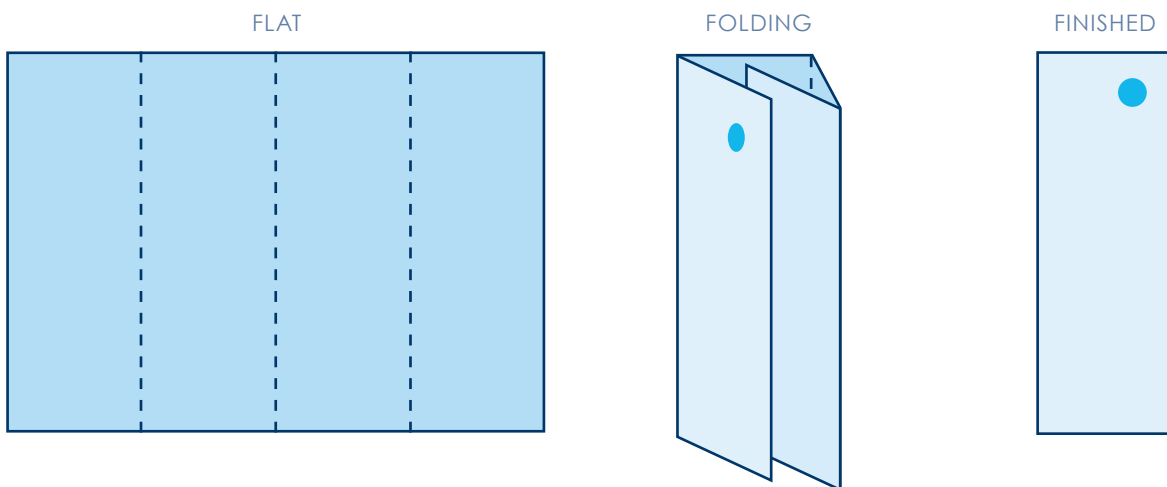
3. Z Fold

Best Used For: Mailing and “quick glance” handouts



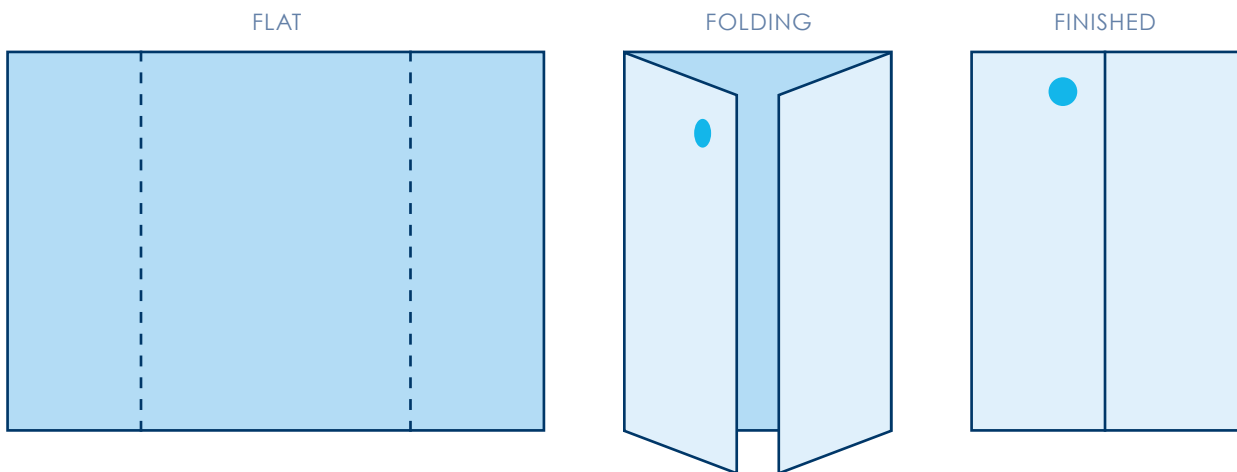
4. Four-Panel Roll Fold

Best Used For: Step-by-step and tutorial information



5. Single Gate Fold

Best Used For: Graphically-heavy designs



6. Double-Gate Fold

Best Used For: Large presentations

